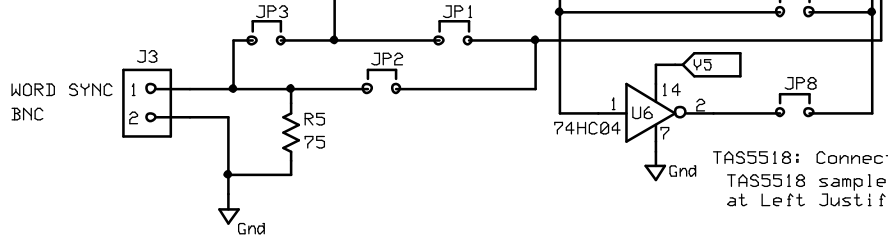
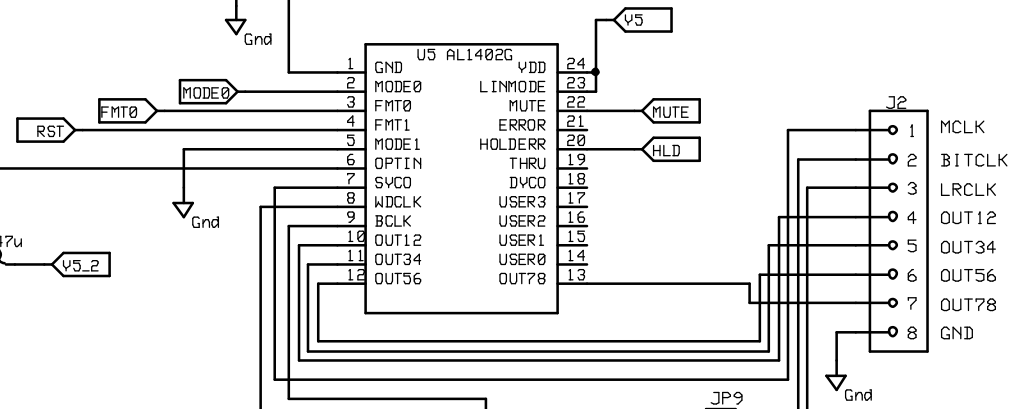
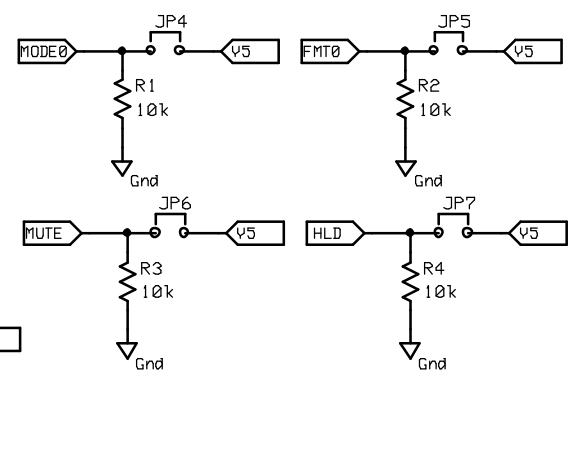


Connect JP5. (Left Justify Mode)  
 AL1402G Master Mode : Connect JP1  
 Open JP2, JP3, JP4  
 Word Sync Mode: Open JP1  
 Connect JP2, JP3, JP4  
 Word Sync must be same signal for  
 ADAT output board and AL1402G



Do not apply R5  
 If you have T BNC Terminator

TAS5518: Connect JP8, Open JP9  
 TAS5518 samples data at BCLK lising edge  
 at Left Justify Mode

<b>Sheet 1</b>		
<b>AL1402G ADAT Receiver</b>		
K00N3876	Rev 1.0 2009/07/01	AL1402G