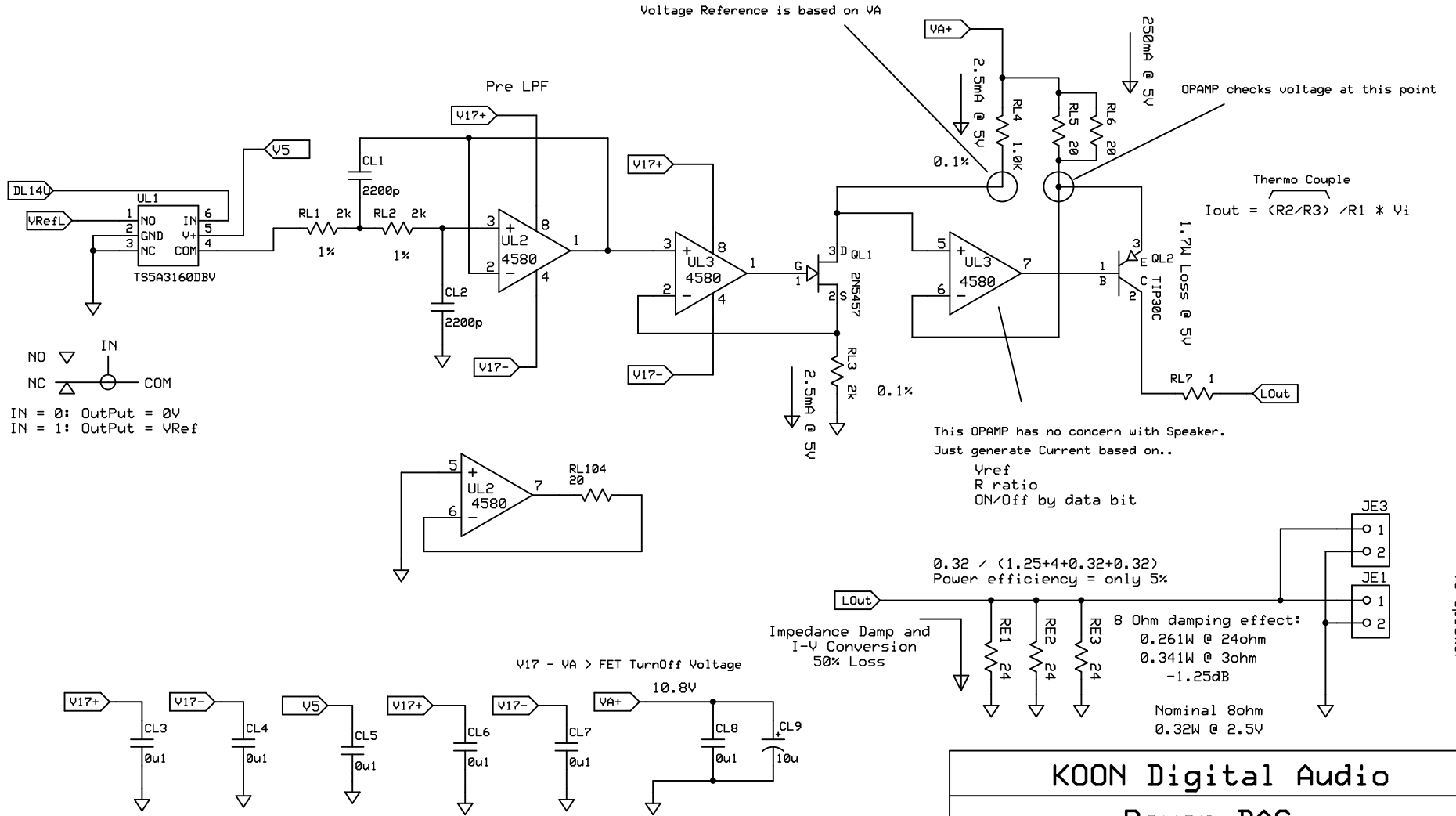


These OPAMP do not process "Analog" sound



BIT Input to Current Output Source Side

All R should be < 0.25%



KOON Digital Audio		
Power DAC		
KOON3876	Rev 1.0	Current Generator
	8/26/2007	

To Speaker